

Technical data sheet for

VEE RAY SINGLE PAN GAS FRYER 600mm

GT60

- High performance single pan fish fryer
- Patented infra-red burner system
- Easy clean stainless steel open pan with 10 year limited warranty
- 31L oil capacity
- 2 large or 3 standard basket capacity
- Large capacity cool zone
- 32mm (1 1/4") drain valve
- Rear rollers
- Stainless steel exterior
- Easy service
- Fully modular



GT60

Overall Construction

- Stainless steel pan with 10 year limited warranty
- Bull nose welded 1.5mm 304 stainless steel
- Splashback 1.2mm 304 stainless steel
- Side panels 1.2mm 304 stainless steel
- Double skin door with 0.9mm 304 stainless exterior
- Enamelled front panel
- 32mm (1 1/4") drain valve
- 63mm dia. heavy-duty 1.2mm 304 stainless steel adjustable legs at front and two rollers at rear
- 3 standard baskets and stainless steel lid supplied standard

Controls

- Direct action thermostat reacts to + or - 1.0°C
- Thermostat range 145 – 195°C
- Over-temperature safety cut-out
- Millivolt gas valve system (no electrical supply)
- Flame failure protection on each pilot
- Piezo ignition to standing pilot burners

Cleaning and Servicing

- Open stainless steel pans for easy clean
- Easy clean basket support bar
- 32mm (1 1/4") drain valve for effective draining
- Easy clean stainless steel exterior
- Access to all parts from front of unit

Technical data sheet for VEE RAY SINGLE PAN GAS FRYER 600mm

Specifications

Production rate
31kg/hr

Pan Size
Width 515mm
Length 380mm
Oil frying depth 95mm
Oil capacity 31L (46.5lbs shortening)

Baskets
3 chrome plated wire baskets
140mm W x 335mm D x 145mm H
Optional 2 chrome plated large wire baskets
210mm W x 335mm D x 145mm H
Stainless steel perforated basket support plate

Burners
2 x 12.5kW infra-red burners

Gas power (gross)
25kW, 85,300 Btu/hr

Gas connection
R 3/4 (BSP) male
Optional underside connection
(refer specification drawing)

Dimensions
Width 600mm
Depth 812mm
Height 915mm
Incl. splashback 1085mm

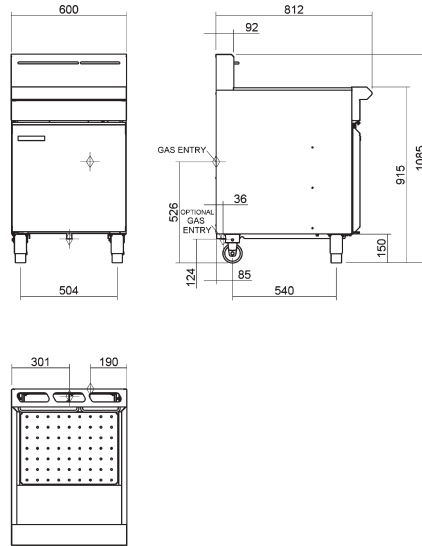
Nett weight
95kg

Packing data
0.70m³, 143kg
Width 870mm
Depth 645mm
Height 1255mm

Gas types
Available in Natural gas and LP gas, please specify
when ordering
Units supplied complete with gas type
conversion kits

Options
Adjustable feet at rear
Filtamax Filtration System
Fish plates
Extra standard baskets
Large baskets
Side splash guards
Joining caps
Castors

GT60



BLUE SEAL

www.blueseal.co.uk
www.bluesealevolution.com

United Kingdom Blue Seal Limited

Unit 67
Gravelly Business Park
Gravelly
Birmingham B24 8TQ
England
Telephone 0121-327 5575
Facsimile 0121-327 9711
Email sales@blue-seal.co.uk
www.blue-seal.co.uk

Australia Moffat Pty Limited

740 Springvale Rd
Mulgrave
Victoria 3170
Australia
Telephone 03-9518 3888
Facsimile 03-9518 3833
Email vsales@moffat.com.au
www.moffat.com.au

New Zealand Moffat Limited

16 Osborne St
PO Box 10-001
Christchurch 8011
New Zealand
Telephone 03-389 1007
Facsimile 03-389 1276
Email sales@moffat.co.nz
www.moffat.co.nz



Designed and manufactured by

MOFFAT

ISO9001
All Blue Seal products are designed and manufactured by Moffat using the internationally recognised ISO9001 quality management system, covering design, manufacture and final inspection, ensuring consistent high quality at all times.

CE

In line with policy to continually develop and improve its products, Moffat Limited reserves the right to change specifications and design without notice.

BLUE SEAL
EVOLUTIONSERIES

VEERAY

Printed in China
© Copyright Moffat Ltd
Moffat/4825-UK/BH/2.5M/12.06

