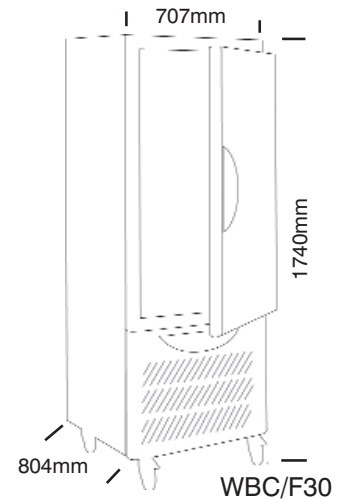


Reach In Blast Chiller Freezer Range

Model: WBC & WBCF 10, 20, 30, 40 & 50 - Datasheet



Key Features

- Choice of models to accommodate 10 to 50kg on 1/1 GN containers (530 x 325mm) with compact footprints
- Foodsafe stainless steel exterior and interior
- Radiused, easy clean, interior based corners to reduce potential dirt traps
- Easy to use, 1-2-3 state of the art control panel - 3 simple steps to initiate blast cycle
- Designed and engineered to operate efficiently up to a 43°C ambient, this exceeds Climate Class 5
- Self closing doors minimises temperature gain, reducing energy consumption
- Precision injected, high density 75mm polyurethane insulation. Provides excellent thermal efficiency with low GWP (Global Warming Potential) and zero ODP (Ozone Depletion Potential)
- Barrel locked doors for added security

- Cabinet designed and fitted with heavy-duty, non-marking swivel castors with brakes to front, to enable easy positioning and mobility through a standard door opening
- Easy to access refrigeration system for servicing and maintenance
- Anti-tilt, stain resistant coated shelving
- Choice of hard, soft, store and core food temperature probe controlled cycles with audible alarm indicating end of cycle
- Automatic defrost at the end of every blast cycle or every 6 hours in store mode
- Automatically switches to storage mode at 3°C or -18°C at the end of each cycle
- Unique advanced airflow design for even chilling of product load throughout cabinet
- Can be connected to a Williams temperature monitoring TAB system

Options

- Adjustable legs
- Stainless steel back
- 1/1 GN Shelves
- High quality thermal printer
- TAB Blast Chill or Blast Chill Freezer Data Management Software

Variant	Temp	Storage
WBC10	+90/+3°C in 90mins	Blast Chiller
WBC20	+90/+3°C in 90mins	Blast Chiller
WBC30	+90/+3°C in 90mins	Blast Chiller
WBC40	+90/+3°C in 90mins	Blast Chiller
WBC50	+90/+3°C in 90mins	Blast Chiller
WBCF10	+90/+3°C in 90mins +90/-18°C in 240mins	Blast Chiller Freezer
WBCF20	+90/+3°C in 90mins +90/-18°C in 240mins	Blast Chiller Freezer
WBCF30	+90/+3°C in 90mins +90/-18°C in 240mins	Blast Chiller Freezer
WBCF40	+90/+3°C in 90mins +90/-18°C in 240mins	Blast Chiller Freezer
WBCF50	+90/+3°C in 90mins +90/-18°C in 240mins	Blast Chiller Freezer

Dimensions

	WBC10	WBCF10	WBC20	WBCF20	WBC30	WBCF30	WBC40	WBCF40	WBC50	WBCF50
External (mm):	H885 W707 D804	H885 W707 D804	H1290 W707 D804	H1290 W707 D804	H1740 W707 D804	H1740 W707 D804	H1740 W707 D804	H1740 W707 D804	H1915 W707 D804	H1915 W707 D804
Internal (mm):	H380 W587 D350	H380 W587 D350	H700 W587 D350	H700 W587 D350	H1020 W587 D350	H1020 W587 D350	H1020 W587 D350	H1020 W587 D350	H1195 W587 D350	H1195 W587 D350
Door Opening (mm):	D1471	D1471	D1471	D1471	D1471	D1471	D1471	D1471	D1471	D1471
Packed:	H900 W740 D840	H900 W740 D840	H1300 W740 D840	H1300 W740 D840	H1750 W740 D840	H1750 W740 D840	H1750 W740 D840	H1750 W740 D840	H1925 W740 D840	H1925 W740 D840
Weight: Add 5kg per product for packaging	97kg	97kg	139kg	139kg	182kg	182kg	187kg	187kg	202kg	202kg

Important Information

	WBC10	WBCF10	WBC20	WBCF20	WBC30	WBCF30	WBC40	WBCF40	WBC50*	WBCF50*
Capacity: kg	10	10	20	20	30	30	40	40	50	50
Construction										
Exterior	0.7mm stainless steel	0.7mm stainless steel	0.7mm stainless steel	0.7mm stainless steel	0.7mm stainless steel	0.7mm stainless steel	0.7mm stainless steel	0.7mm stainless steel	0.7mm stainless steel	0.7mm stainless steel
Interior	0.7mm stainless steel	0.7mm stainless steel	0.7mm stainless steel	0.7mm stainless steel	0.7mm stainless steel	0.7mm stainless steel	0.7mm stainless steel	0.7mm stainless steel	0.7mm stainless steel	0.7mm stainless steel
Door	0.7mm stainless steel	0.7mm stainless steel	0.7mm stainless steel	0.7mm stainless steel	0.7mm stainless steel	0.7mm stainless steel	0.7mm stainless steel	0.7mm stainless steel	0.7mm stainless steel	0.7mm stainless steel
Power Supply	220V/240V 50Hz/1Ph 13 amp plug	220V/240V 50Hz/1Ph 13 amp plug	220V/240V 50Hz/1Ph 13 amp plug	220V/240V 50Hz/1Ph 13 amp plug	220V/240V 50Hz/1Ph 16 amp plug Direct Connection	220V/240V 50Hz/1Ph 16 amp plug Direct Connection	220V/240V 50Hz/1Ph 16 amp plug Direct Connection	220V/240V 50Hz/1Ph 16 amp plug Direct Connection	380V/440V 3Ph 16 amp plug Direct Connection	380V/440V 3Ph 16 amp plug Direct Connection
Power Input										
Start Up	31amps	31 amps	48 amps	48 amps	54 amps	54 amps	54 amps	54 amps	29 amps	29 amps
Running	4 amps	4 amps	6 amps	6 amps	16 amps	16 amps	16 amps	16 amps	5.8 amps	5.8 amps
Compressor HP	1/2	1/2	1	1	1 1/2	1 1/2	1 1/2	1 1/2	2	2
Energy Consumption (Tested to EN153) in 24hrs	Not available at present	Not available at present	Not available at present	Not available at present	Not available at present	Not available at present	Not available at present	Not available at present	Not available at present	Not available at present
Heat Rejection (Evaporating at -10°C in 32°C ambient)	1527 watts	1527 watts	2609 watts	2609 watts	4159 watts	4159 watts	4159 watts	4159 watts	4478 watts	4478 watts
Refrigerant	R404a	R404a	R404a	R404a	R404a	R404a	R404a	R404a	R404a	R404a
Defrost	Auto hot gas Door mullion heaters	Auto hot gas Door mullion heaters	Auto hot gas Door mullion heaters	Auto hot gas Door mullion heaters	Auto hot gas Door mullion heaters	Auto hot gas Door mullion heaters	Auto hot gas Door mullion heaters	Auto hot gas Door mullion heaters	Auto hot gas Door mullion heaters	Auto hot gas Door mullion heaters
Insulation ODP Zero Polyurethane	75mm	75mm	75mm	75mm	75mm	75mm	75mm	75mm	75mm	75mm
Noise Output	Not available at present	Not available at present	Not available at present	Not available at present	Not available at present	Not available at present	Not available at present	Not available at present	Not available at present	Not available at present
Fittings										
Trayslides	3 pairs	3 pairs	6 pairs	6 pairs	10 pairs	10 pairs	10 pairs	10 pairs	13 pairs	13 pairs

* Please note that the WBC50 & WBCF50 requires connection to a main drain, using a 19mm ID flexible pipe.



Bryggen Road, North Lynn Industrial Estate
King's Lynn, Norfolk PE30 2HZ

T +44 (0) 1553 817000

F +44 (0) 1553 817111

Spares +44 (0)1553 817017

E info@williams-refrigeration.co.uk

W www.williams-refrigeration.com

Allow minimum of 500mm above cabinet for maintenance and ventilation. All refrigeration equipment requires adequate ventilation for efficient and effective performance. Williams are committed to a policy continuing product development and innovation and as such, we reserve the right to change product specifications stated without prior notice.

V7 - March 2011